

KSQ's K1603BP Digital locker lock features a touch screen keypad for PIN operation.

Passwords can be consisted of 4-15 digits, and can be set and changed by users.

The K1603BP can be switched between public and private mode freely, with prompt function when lock is occupied.

Made from quality black ABS plastic housing, the K1603BP is a reliable digital locker

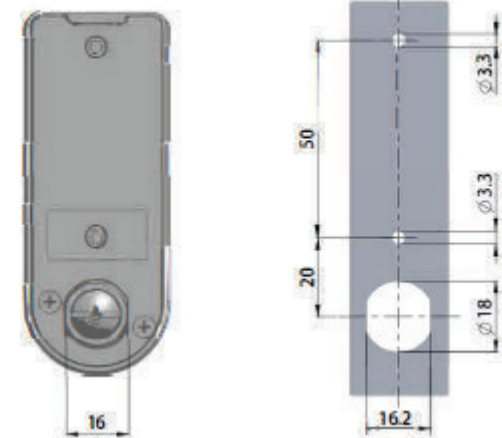
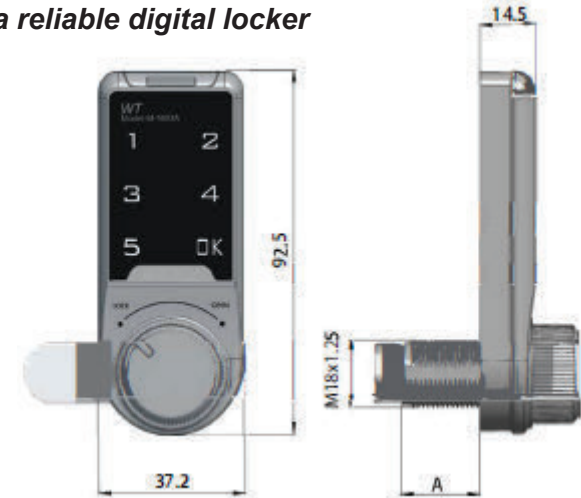


K1603 BP



FEATURES & OPTIONS

- Touch pad screen design, password can be consisted of 4-15 digits, billions of password available
- Password can be set and changed by users, and memorised automatically when power off.
- Button battery cell can be used for 3,000 times and easily replaced .
- Automatic power shortage prompts.
- Introduced with Anti-Theft Technology and Fake PIN password function
- Auto-alarm will be activated when input wrong password 4 times.
- Switch between public and private mode freely, with prompt function when lock is occupied.
- Decoder can be provided with Multilayer password management
- Material of body can be plastic or zinc alloy
- Both user password and management password available



Gyms



Cabinets



Schools



Mines



Hospitals



Universities



Offices



Libraries



Mobile Phone
Lockers