

The KSQ SX575 combination padlock is unique to all other combination padlocks.

It features a 4-digit code with up to 10,000 possible combinations and a master override key

that not only overrides the user code but also reveals an unknown combination simply by turning the key and rotating the dials.

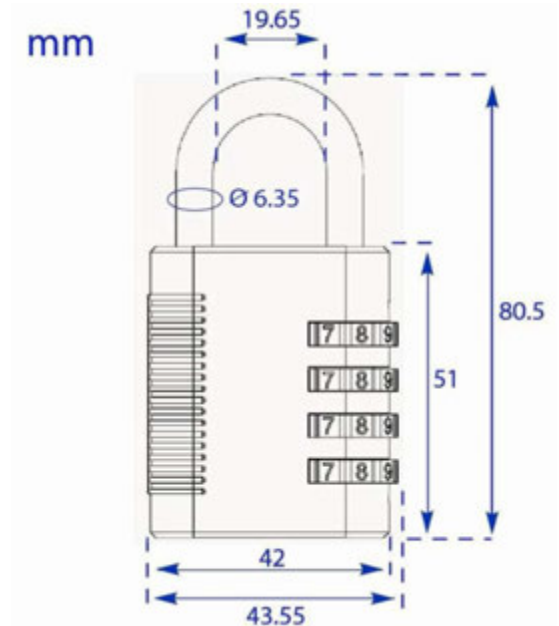
It is perfect for school lockers and mines or other industrial applications

where laundry services require access to lockers for uniform changes



FEATURES & OPTIONS

- 4-Wheel Combination Cam Lock with 10,000 possible combinations
- Master Override Key with various key series available
- Unique Code Discovery using Master Override Key to reveal unknown combinations
- User changeable combination with no tools required
- Optional Loss Prevention Security Chain and Collar to minimise theft or loss
- Robust Solid Alloy Body with Chromed Hardened Steel Shackle
- Optional padlockable Cam lock to retrofit conventional 19mm cylinder key cam locks



As Used For

